

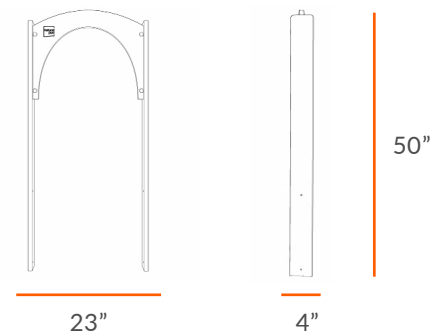


Description

The **Evergreen Archway** is a whimsical accessory that can be added between two Evergreen shelving units. It fastens directly to the shelving units, creates an excellent space divider, and provides a magical entryway into other learning or play zones within your space.

Views

Refer to Technical Sheet for more details.



Product features

- Creates a magical entryway
- Fastens to shelving units
- Excellent space divider
- Edges all smoothed and finished

Materials

- Europly FSC Certified hardwood plywood (FSC R012337)
- MPX® FSC Certified hardwood plywood (FSC R 012337)

EVERGREEN SHELVING

LENGTH 23"

DEPTH 4"

HEIGHT 50"

Dimensions indicated are approximate. Please contact us if you require clarification.

